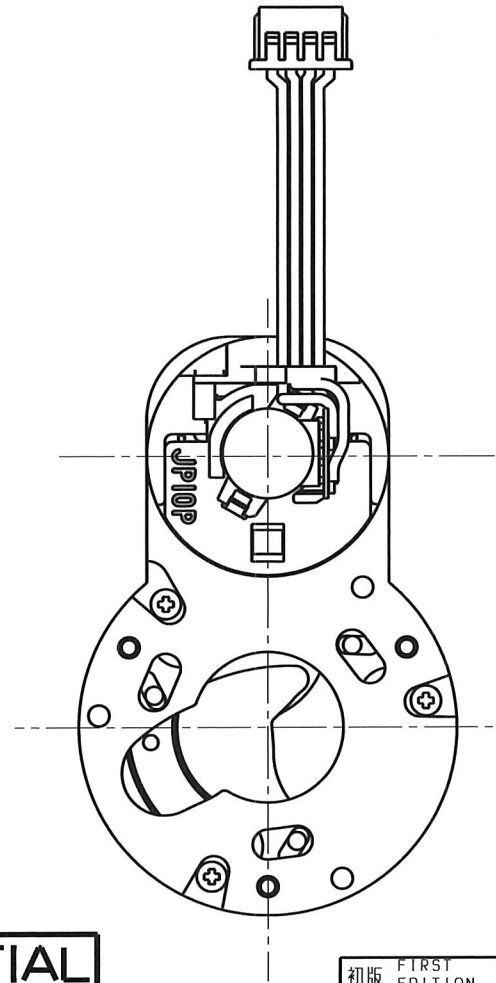
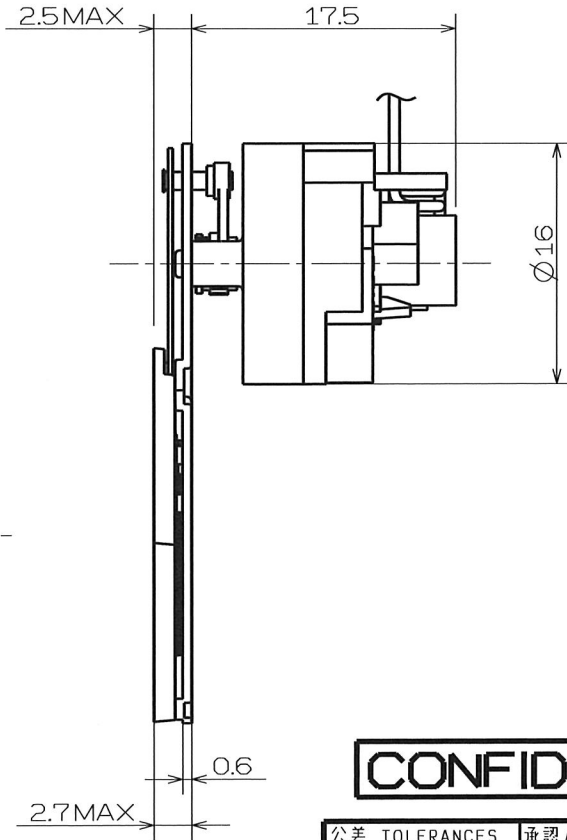
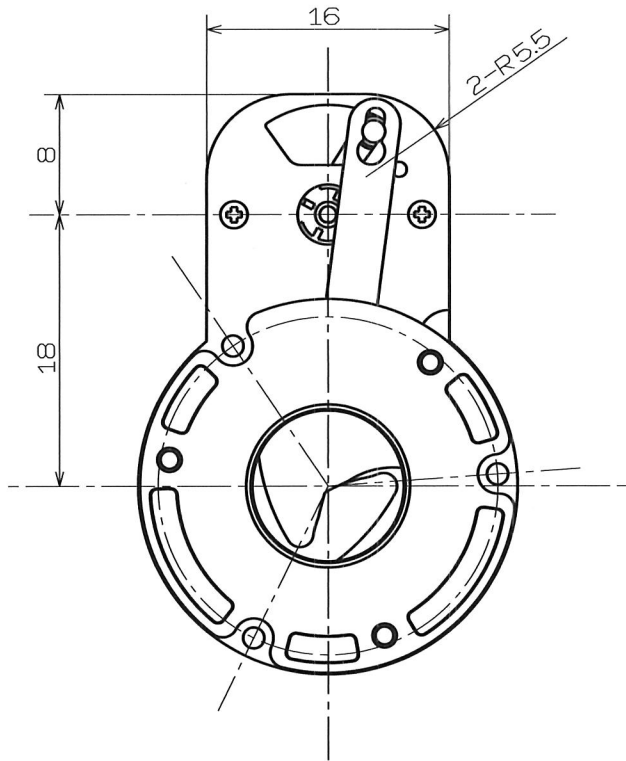


CLOSE → ← OPEN

| PIN NO. | lead wires color | STEP | 1 | 2 | 3 | 4 |
|---------|------------------|-----------|---|---|---|---|
| | | PHASE | | | | |
| 1 | 茶 | A | H | L | L | H |
| 2 | 赤 | \bar{A} | L | H | H | L |
| 3 | 黄 | B | H | H | L | L |
| 4 | 橙 | \bar{B} | L | L | H | H |



CONFIDENTIAL

初版 FIRST EDITION 28.NOV.2013

| | | | | |
|---|-----------------|---------------|------|------------|
| △ | 訂正記事 CORRECTION | | | |
| | MARK | 番号 CHANGE NO. | REV. | 日付 DATE |
| | | | | 担当 DRAWING |

| | | | | |
|-----------------------------|-------------------------|----------|------------|------------------|
| 公差 TOLERANCES UN SPECIFIED: | 承認 APPROVAL | 審査 CHECK | 担当 DRAWING | 型号 MODEL |
| 一般公差 ±0.1 1° | | | | V-9610 |
| 尺度 SCALE 2:1 | 材質・処理 MATERIAL & FINISH | | | 名称 TITLE |
| 単位 UNIT mm | | | | 総組立 Total Assy |
| | | | | 図面番号 DRAWING NO. |
| | | | | A***** |